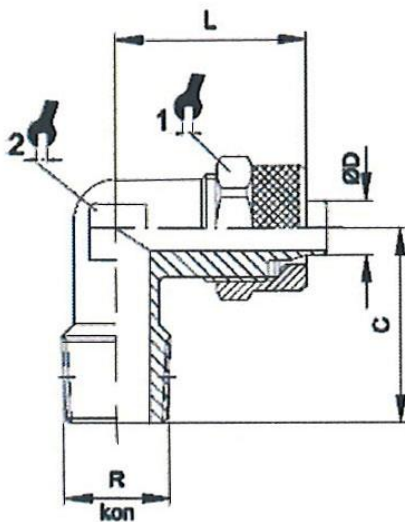


Material	Nickel-plated brass
Max. operating pressure	18 bar
Max. operating temperature	200 °C
Suitable hose materials	PA, PE, PU



13.114-8-E

Male elbow, conical male thread (without O-ring)

Art. No.	Type No.	ØD	A	B	C	L	1	2	O-ring
115214	13.118-6-E	6/4	R 1/8	8.0	17.0	22.5	12	8	without
115215	13.118-8-E	8/6	R 1/8	8.0	17.0	22.5	14	10	without
115213	13.118-10-E	10/8	R 1/8	8.0	18.5	25.5	16	11	without
115211	13.114-6-E	6/4	R 1/4	11.0	20.0	22.5	12	10	without
115212	13.114-8-E	8/6	R 1/4	11.0	20.0	22.5	14	10	without
115210	13.114-10-E	10/8	R 1/4	11.0	21.5	25.5	16	11	without
115218	13.138-6-E	6/4	R 3/8	11.5	22.5	23.5	12	11	without
115219	13.138-8-E	8/6	R 3/8	11.5	22.5	24.0	14	11	without
115216	13.138-10-E	10/8	R 3/8	11.5	22.5	25.5	16	11	without
115217	13.138-12-E	12/10	R 3/8	11.5	24.5	30.0	18	14	without